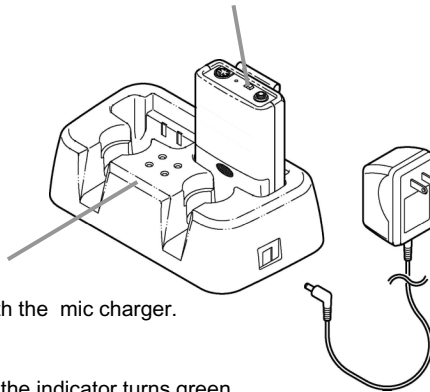
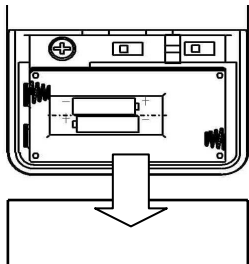


About Ni-MH Battery

1. Ni-MH battery (AZDEN item# APS-20501) life is one year under normal use condition or five hundred times charging. Replace to new battery when operation time has decreased significantly even fully charged.
2. Use the specified battery charger (AMC-3) when charging.

How to change the batteries

Batteries are placed in the battery compartment after sliding the battery compartment door down and away. To remove the battery, pull down + side first.



How to recharge

Insert the AC adapter into socket and connect with the mic charger.

Insert the mic into the mic charger.

The red power LED is glowing when charging.

After 10 hours later, the charging is completed as the indicator turns green.

Make sure the wireless mic is in the OFF position.

Only special Ni-MH Battery can be rechargeable. Do not attempt to charge any other type of dry cell or rechargeable battery. You are recommended to use AZDEN original battery "APS-20501".

IRB-20

WIRELESS BELT PACK / LAPEL MICROPHONE

User's Guide

Feature

Don't get interference by other generally used wireless method like UHF and VHF.

The IRB-20 allow speakers for hands free action thanks to body clip wearing. It is a very convenient in the school and lecture meeting etc.

Two channel setting can be switched either channel on the spot by just changing the rotary switch.

Specification

Power	DC2.4V (the provided 2-Ni-MH battery)
Dimensions	100(H) x 64(W) x 27 (D) mm
Weight	approx. 132g (Include 2-Ni-MH battery) 38g (Lapel microphone)
Microphone	Element Type : Electret Condenser
Mic level	- 50dB
Frequency response	50 ~ 10kHz
Standard Packing item	Ni-MH battery x2 , Driver x1

AZDEN CORPORATION

1-12-17 Kamirenjaku Mitaka-shi Tokyo 181-8533 Japan
Tel :+81(0)422-55-5115 Fax :+81(0)422-55-0131
E-mail : sales@azden.co.jp URL <http://www.azden.co.jp>

Printed in Japan 060-35671-01



Important safety Instructions

1. Read these instructions for use
2. Keep these instructions in a safe place.
3. Heed all warnings.
4. Follow all instructions
5. Do not use near water
6. Clean only with a dry cloth.
7. Do not block any ventilation openings. Install in accordance with the manufacturer's instructions.
8. Do not install near any heat sources such as central heating radiators ,electric heaters, stoves, or other units that produce heat (e.g. amplifiers)
9. Only use attachments/accessories specified by the manufacturer.
10. Use only with the cart, stand, tripod, bracket, or table specified by the manufacturer or sold with the unit.
When a cart is used, use caution when moving the cart/unit combination to avoid injury from tip-cover.
11. Unplug during lightning storms or when unused for long periods of time.
12. Refer all servicing to qualified service personnel. Servicing is required if the unit has been damaged in any way , such as mains cable or plug damage, liquid has been spilled, objects have fallen inside , the unit has been exposed to rain or moisture, does not operate properly or has been dropped.

Maintenance and Care

Do not attempt to service this unit yourself as opening or removing covers may expose dangerous voltage or other hazards. Refer all servicing to qualified service personnel.
Clean with a dry cloth. Do not use detergents or other liquids.

Replacement parts

When replacement parts are required , be sure the service technician uses replacement parts specified by the manufacturer or those that have the same characteristics as the original part. Unauthorized substitutions may result in fire, electric shock, or other hazards.

Safety check

Upon confirmation of any service or repairs to this unit, ask the service technician to perform safety checks to determine that the product is in proper operating condition.

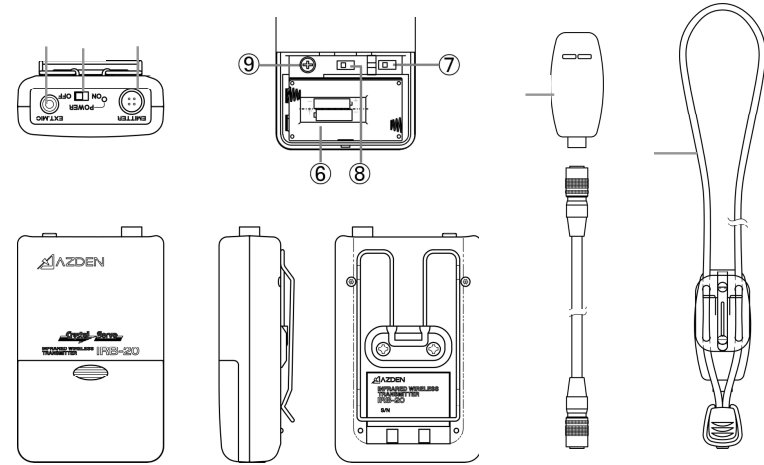
Handling care for Ni-MH battery

1. To prevent the battery break, carefully read this manual.
2. The operation environment of battery is -20 ~ +60 . If the operation temperature is out of this range, the battery may damage.
3. Don't leave the battery inside of car under direct sunshine, don't face the battery for direct sunshine and don't keep the battery beside heater. Also, don't use the battery at very cold place, which is zero degree or less than zero.
Such environment may make short life and damage goods.
4. Don't put the battery in the slot water and watery.
5. Inside of battery, it includes the alkaline liquid. If the liquid touches to hands, skin etc., immediately washes them.

Prohibition :

- Don't throw away the battery in the fire and don't make warm it.
- Don't soldering it directly.
- Minus and plus terminal, don't connect by needle, cable etc.
- Don't set the battery +- terminal in reverse.
- Don't disassemble and assembly.
- Don't throw away and put high pressure on it.
- Recharging user only our accepted recharge.
- Don't insert battery into car external battery socket, wall socket.
- Don't use any other equipment without our permission.

Descriptions



Tie pin Mic

This is the emitter-microphone. Clip this microphone to the slider on the strap.
By sliding the slider on the chest find suitable position of microphone for collecting the audio firmly.
Audio is transmitted from this point. Don't cover this point by hands or any other materials.

Strap

The emitter can be worn around the neck with the strap as shown on fig.

Microphone jack

Insert tie pin mic plug.

Power switch

Turn ON/OFF the charger by sliding the switch. Glow green when the charger is on.
Lighten red battery is low.

External Mic input jack

Plug the ext. mic into the jack.

Battery

The IRB-20 uses 2x Ni-MH batteries (rechargeable batteries). They are placed in the battery compartment. After sliding the battery case door off, carefully place FRESH batteries in the compartment in the directions shown on the sticker.
OBSERVE PROPER POLARITY ! The IRB-20 can use either Alkaline batteries.

Output Selection Switch

If the distance between microphone and receiver is very near, set to Lo for saving battery life. At Lo position, the battery life is approx. 8 hours. (When using Azden original battery after full charging). At the Hi position, battery life is approx. 6 hours.

Frequency selection switch (CH1 and CH2)

Select CH1 or CH2. Same channel can not be used simultaneously.

Mic gain adjustment point

Adjust to the optimum gain when mic gain change in the case of mic change or mic setting position move.