

AZDEN  
CAM-3 MICROPHONE MIXER  
INSTRUCTION MANUAL

**90 DAY LIMITED WARRANTY**

AZDEN CORPORATION warrants to the first consumer purchaser that the CAM-3 purchased is free from defects in material and workmanship. AZDEN's sole obligation under this warranty shall be to provide, without charge, repair or replacement (at the company's option), within 90 days from the date of purchase.

This warranty is the sole and exclusive express warranty given with respect to the product, and all other express warranties are hereby excluded. Neither AZDEN nor the dealer who sells the product is responsible for indirect, incidental, or consequential damages. Some states do not allow the exclusion or limitation of incidental or consequential damages, so the above limitation may not apply to you.

This warranty does not extend to any defect, malfunction, or failure caused by misuse, abuse, accident, or faulty hookup, defective associated equipment for which it was not intended. Please read your owner's manual carefully.

This warranty is valid only when the CAM-3 is returned directly to AZDEN, at the address below, freight prepaid, together with proof of date of purchase.

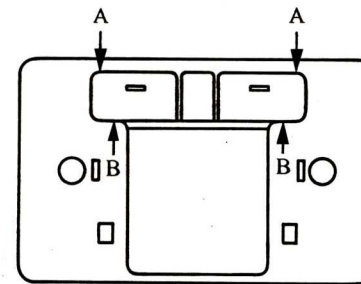
This warranty gives you specific legal rights and you may also have other rights which vary from state to state.

AZDEN CORPORATION  
147 New Hyde Park Road, Franklin Square, NY 11010

The CAM-3 is a versatile microphone mixer that allows you to mix sound from three microphones (wireless, zoom, narration) while shooting a video.

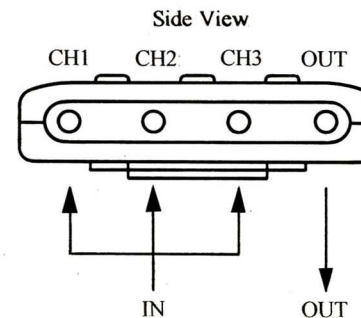
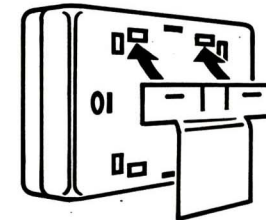
MOUNTING THE CAM-3

Included in the package are the following: 1 CAM-3 unit, 2 belt clips, velcro, and 2 audio connection cables. Use the belt clip if you want to clip the CAM-3 to your belt, shirt pocket, or camera strap. The clip can be attached to the CAM-3 in any one of 4 positions. Line up the tabs on the clip with the proper cutouts on the back of the CAM-3. See below for directions to attach the clip. If attaching the CAM-3 directly to the camera, use the velcro. Attach the velcro with the soft surface to the CAM-3.

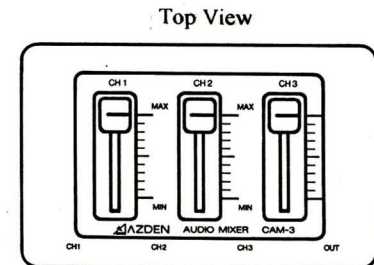


TO REMOVE : Press down gently and push the tabs in direction A

TO ATTACH : Press down gently and push the tabs in direction B



Microphone      To Video Camera  
Wireless  
Zoom  
Narration, etc.



## CONNECTIONS

### STEREO VIDEO CAMERAS:

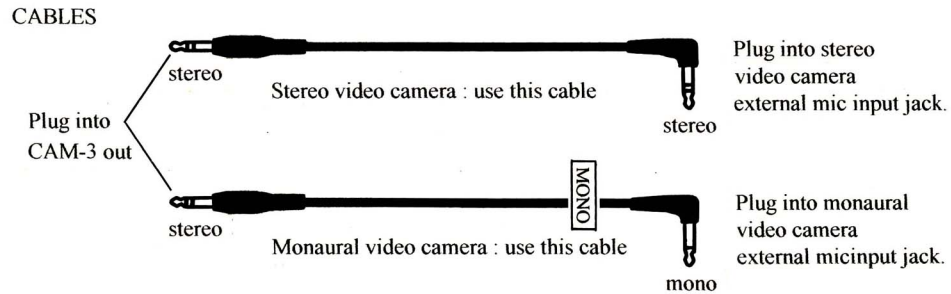
- CH1: A microphone plugged into channel 1 will record on the right channel of the video camera.
- CH2: A microphone plugged into channel 2 will record on the left channel of the video camera.
- CH3: A microphone plugged into channel 3 will record on the left and right channel of the video camera.
- OUT: Plug either end of the stereo cable into the out jack on the CAM-3. Plug the other end of the cable into the microphone input jack on the video camera.

**IMPORTANT NOTE: With a stereo video camera use the stereo cable. Do not use the cable with the white (mono) flag on one end.**

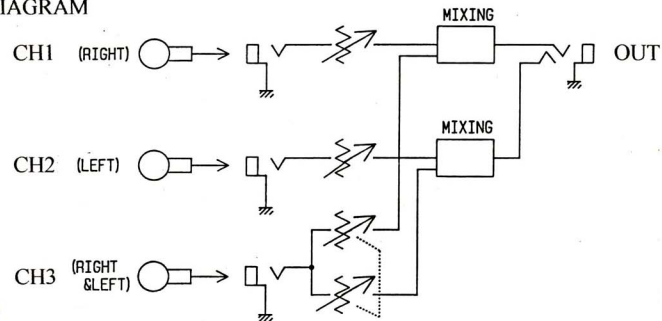
### MONAURAL CAMERAS:

- CH1: A mic plugged into channel 1 will mix with mics plugged into channel 2 and/or channel 3.
- CH2: A mic plugged into channel 2 will mix with mics plugged into channel 1 and/or channel 3.
- CH3: A mic plugged into channel 3 will mix with mics plugged into channel 1 and/or channel 2.
- OUT: Plug the end of the cable with the white (mono) flag into the external microphone input jack on the video camera, plug the other end into the out jack on the CAM-3.

**IMPORTANT NOTE: With a monaural video camera you must use only the supplied output cable with the white (mono) flag on one end.**



### SCHEMATIC DIAGRAM



## ADJUSTMENTS

Monitor the sound by plugging a headphone or earphone (not supplied) into the headphone output jack on the video camera.

After mounting the CAM-3 and making all the connections, set the 3 volume sliders to the "min" position. Adjust the volume sliders as necessary, to make up for differences in microphone types and vocal/music levels. Do not be concerned if the 3 volume sliders are in widely different positions.

### EXAMPLE

