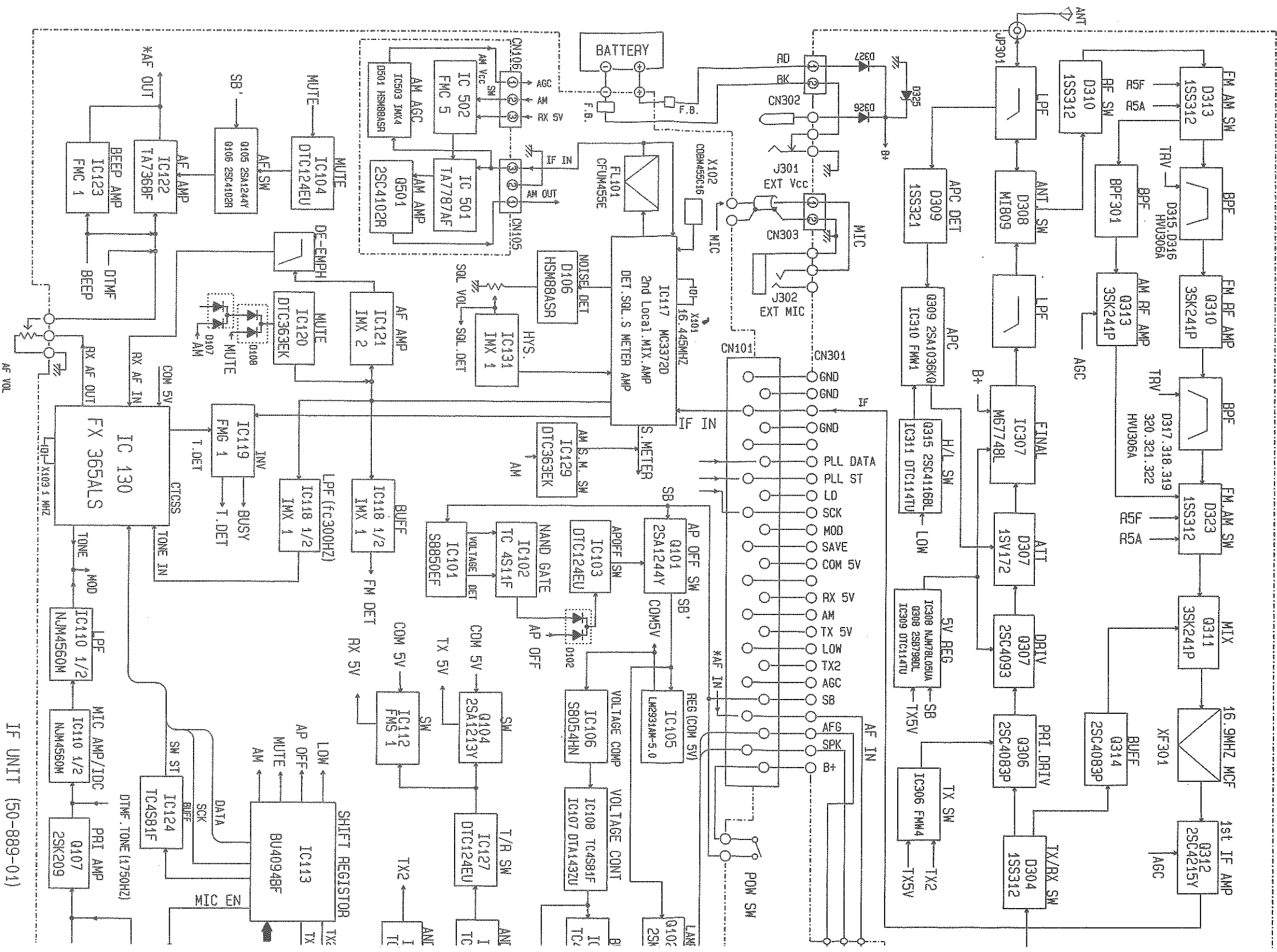
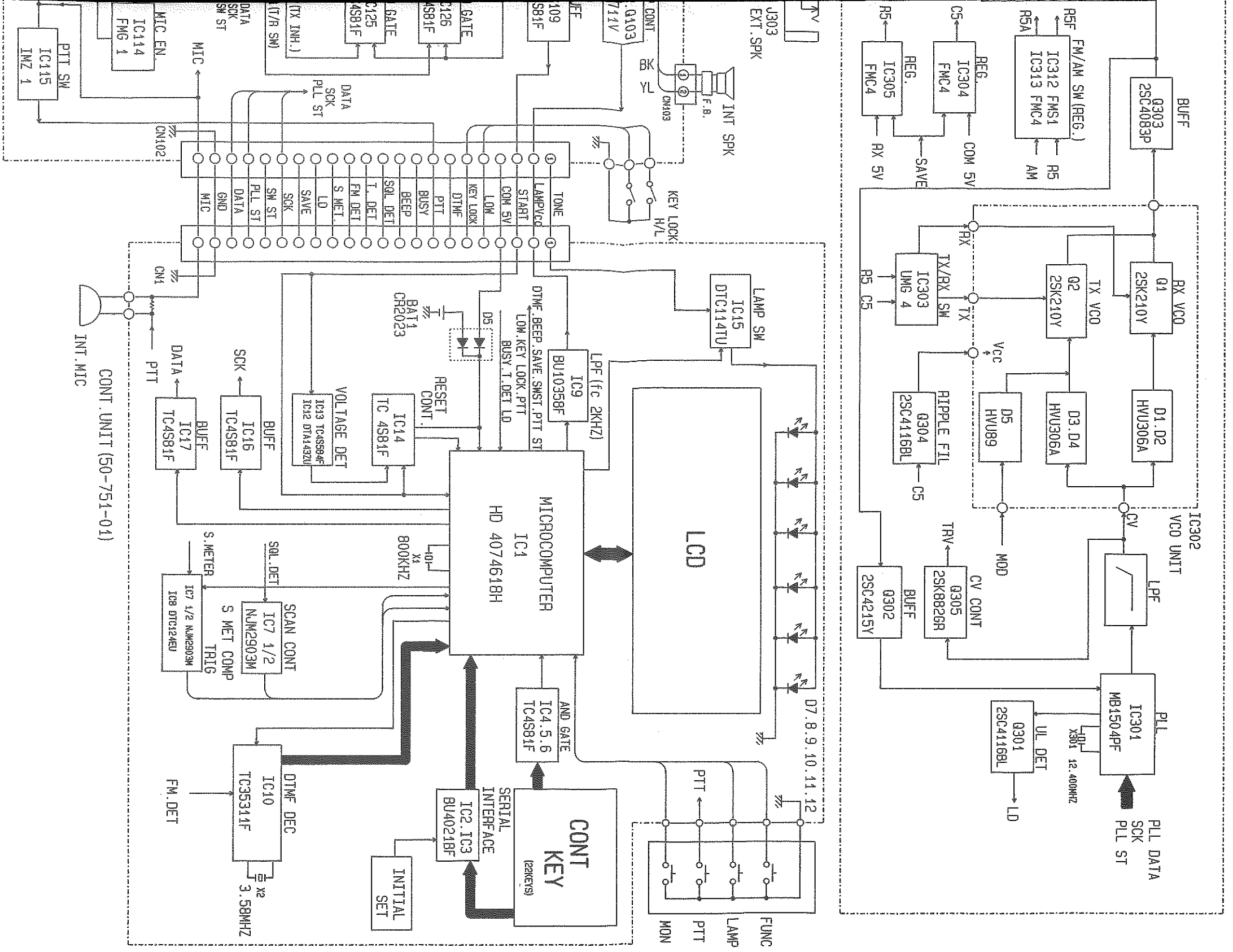


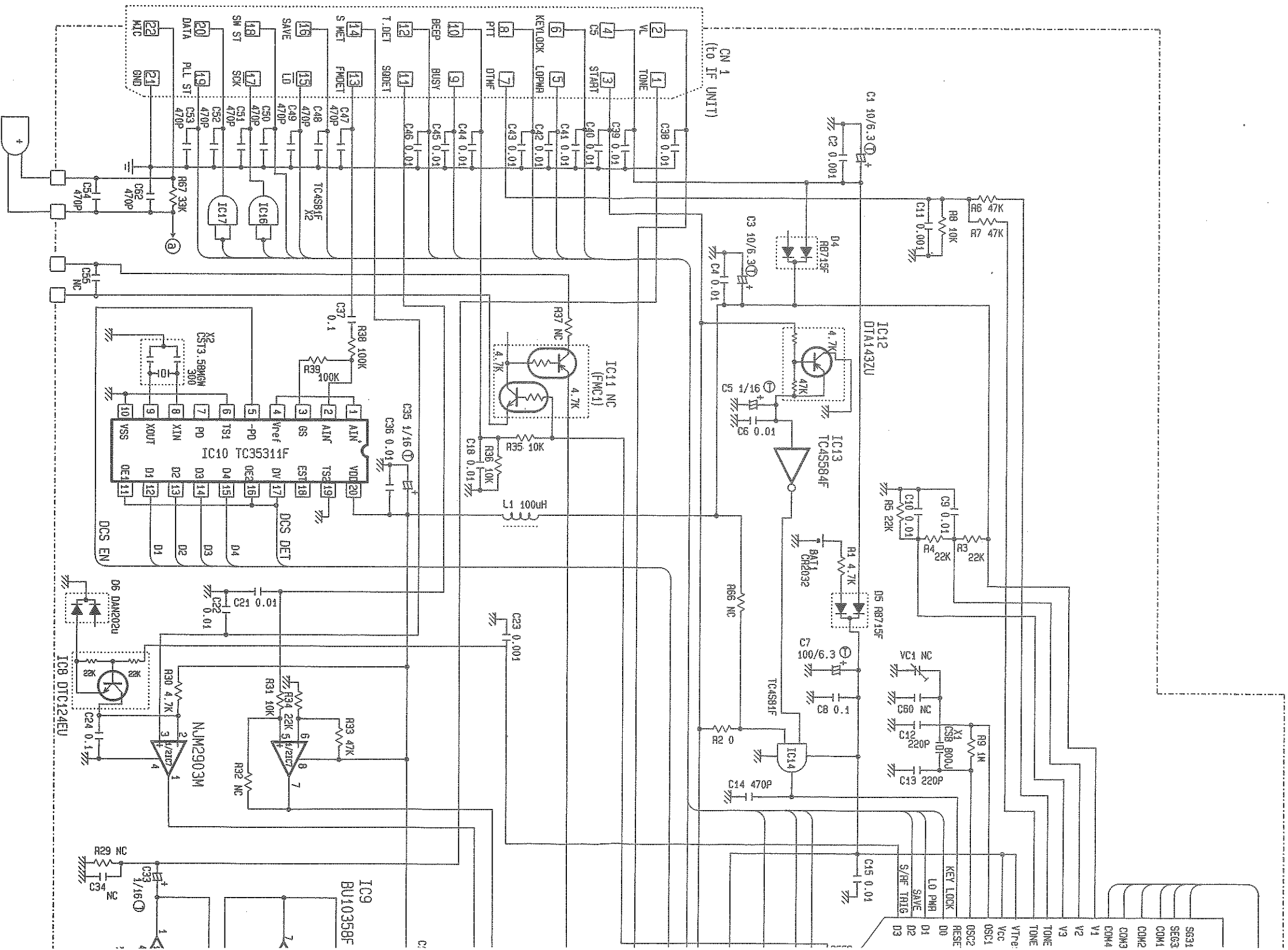
BLOCK DIAGRAM

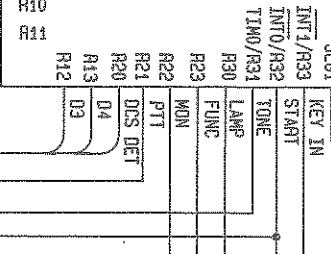
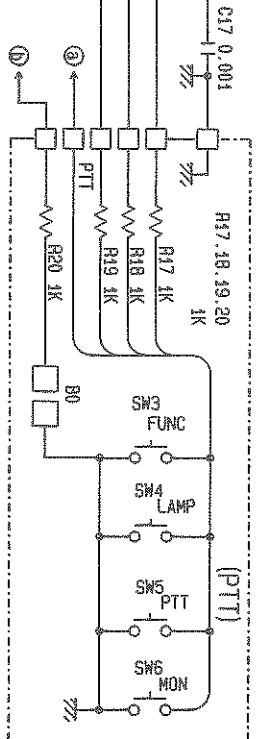
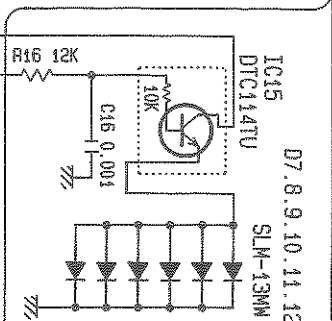
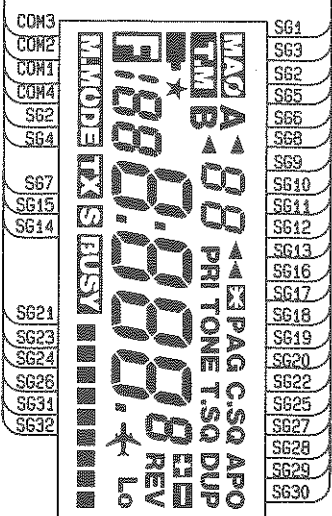
RF UNIT (50-888-01)



IF UNIT (50-889-01)

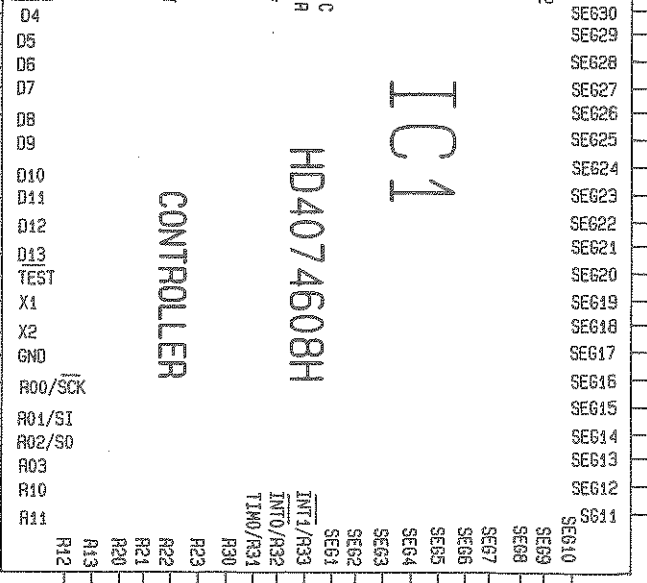




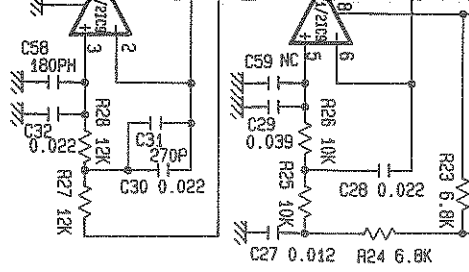
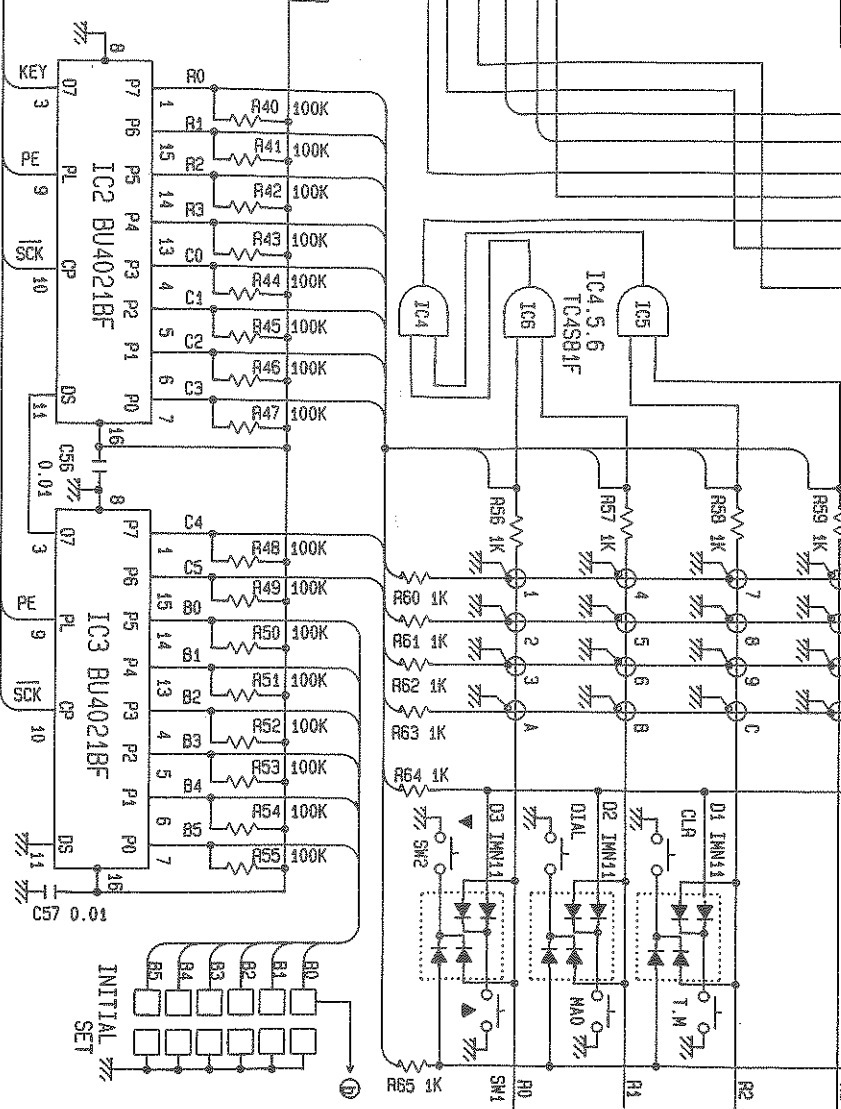


HD4074608H

CONTROLLER



CONT. UNIT (50-751-01)



UNIT

Ω
μ F

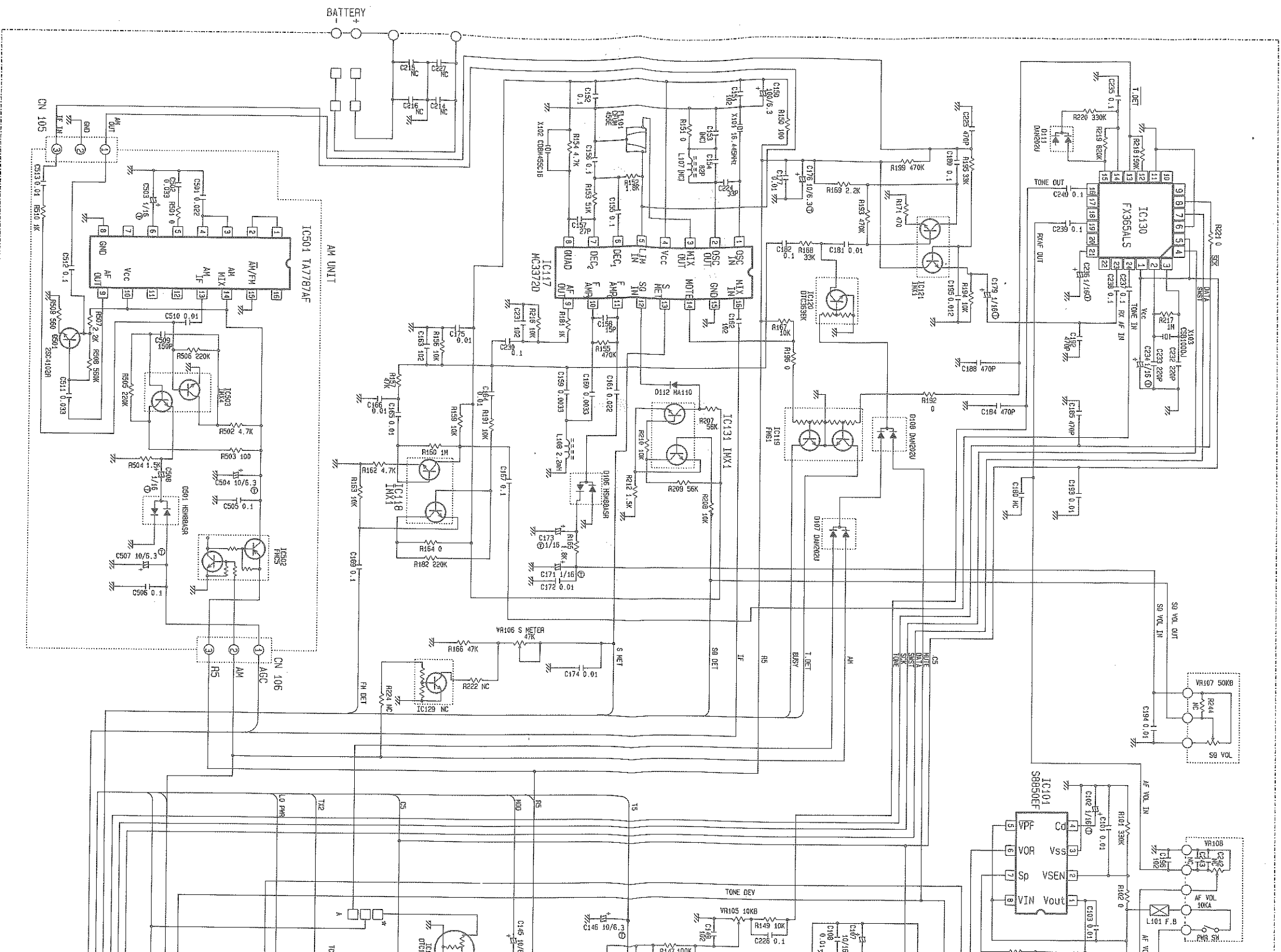
144MHZ FM HANDY TRANSCIVER

Some components subject to change for an improvement without notice.

AZ-21A

SCHEMATIC DIAGRAM

01



RF UNIT (50-888-01)

